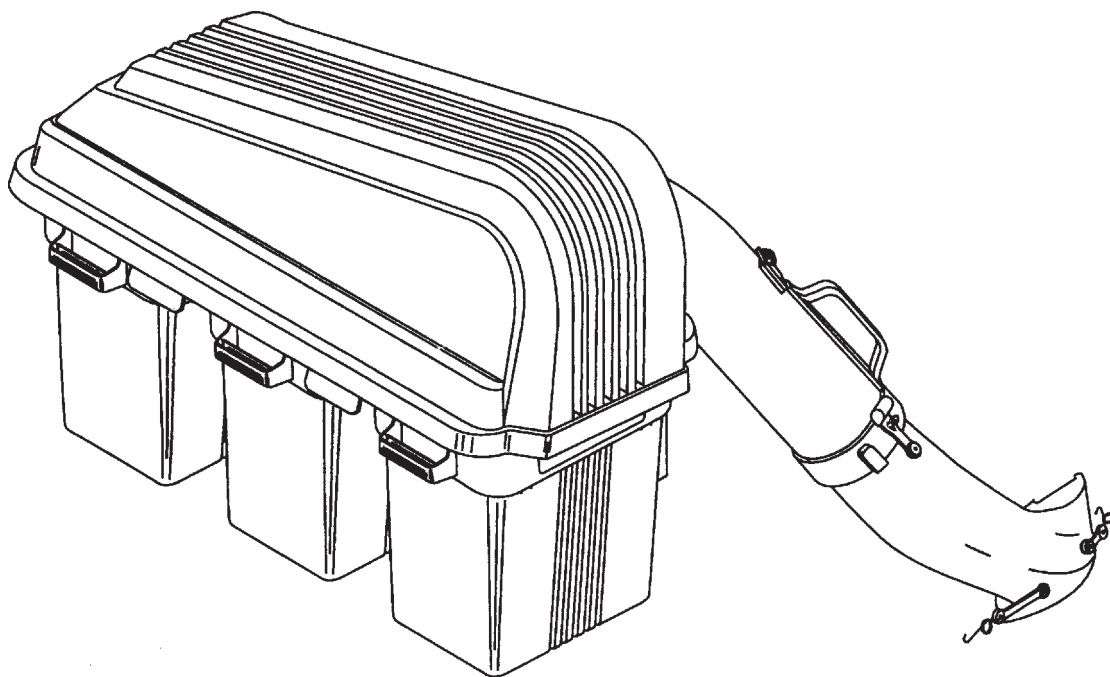


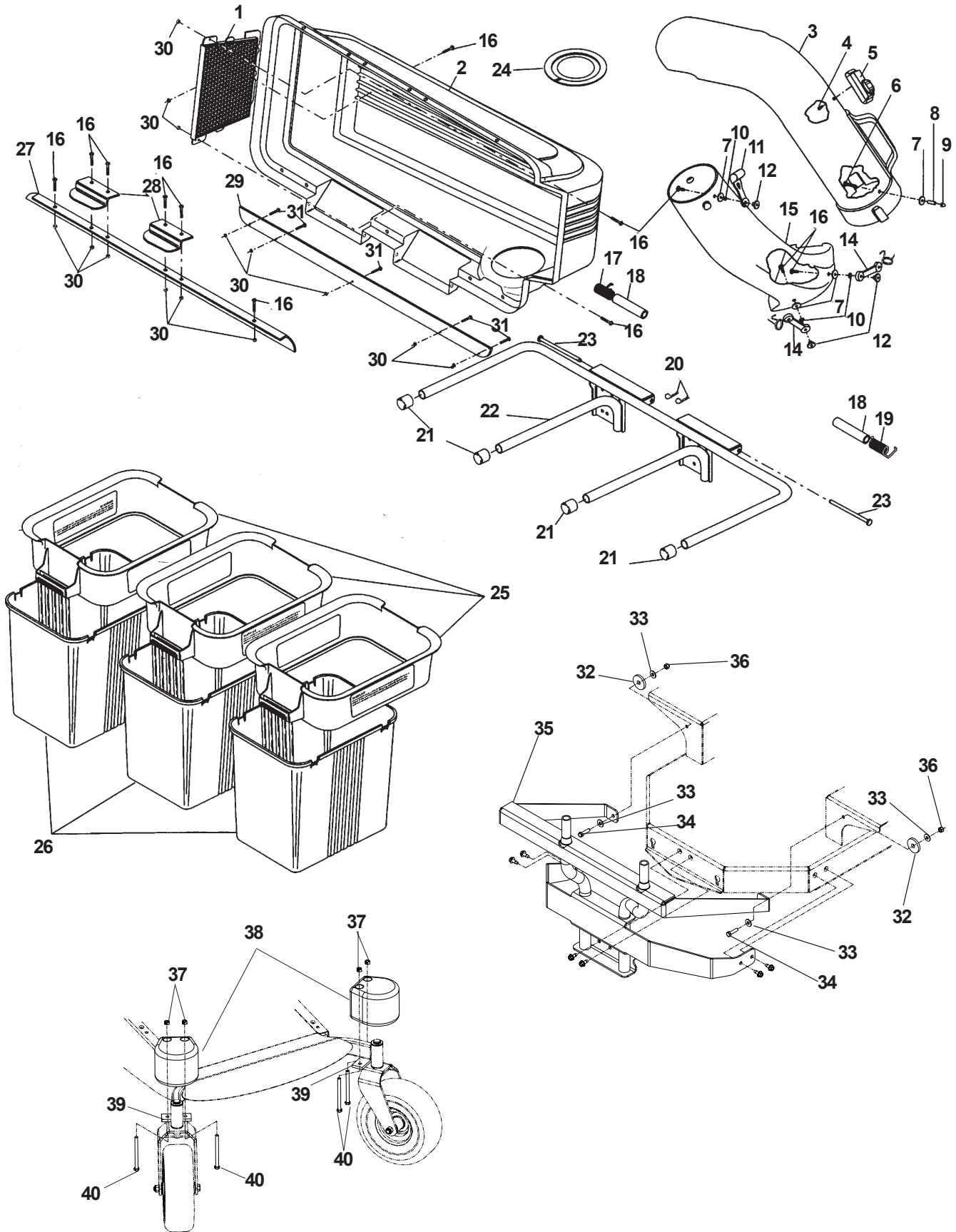
Parts Manual

For
48 Inch Consumer Z
Grass Catcher



Model:
968999248 / CZ48

PARTS



PARTS

ITEM	PART NO.	QTY.	DESCRIPTION
1	(539) 108078	1	Screen, cover
2	(539) 108521	1	Cover
3	(539) 108141	1	Chute, upper
4	(539) 108081	1	Screw, #10-14 x 1/2, special
5	(539) 108082	1	Dump bag indicator
6	(539) 108083	1	Screw, #10-24 x 1 1/8
7	(539) 108084	4	Washer, 3/16 x 3/4 x 16 Ga.
8	(539) 108085	1	Spacer, split
9	(539) 108086	1	Nut, #10-24, acorn
10	(539) 107360	3	Lockwasher
11	(539) 108088	1	Latch, chute
12	(539) 108089	3	Nut, weld
14	(539) 108194	2	Latch, assembly
15	(539) 108092	1	Chute, lower
16	(539) 976952	12	Screw, #10-24 x 5/8
17	(539) 108093	1	Spring, cover L.H. (black)
18	(539) 108094	2	Spacer, cover
19	(539) 108095	1	Spring, cover R.H. (gray)
20	(539) 108096	2	Spring, retainer
21	(539) 108097	4	Plug, tubing end
22	(539) 108098	1	Bagger, frame
23	(539) 108099	2	Pin, hinge
24	(539) 108100	1	Gasket, cover
25	(539) 108101	3	Container, top
26	(539) 108102	3	Container, bottom
27	(539) 108103	1	Seal, cover
28	(539) 108104	2	Handle, bagger cover
29	(539) 108522	1	Strip, reinforcement
30	(539) 976977	14	Nut, #10-24, crownlock (not included with unit)
31	(539) 990411	5	Screw, #10-24 x 1/2 (not included with unit)
32	(539) 106504	2	Washer, special
33	(539) 990692	4	Washer, 5/16
34	(539) 990627	2	Bolt, 5/16-18 x 1 1/4
35	(539) 108014	1	Hitch
36	(539) 990717	2	Nut, 5/16-18, nyloc
37	(539) 990546	4	Nut, 3/8-16, centerloc
38	(539) 108154	2	Wheel weight
39	(539) 108156	2	Strap
40	(539) 990591	4	Bolt, 3/8-16 x 4 1/2